



**ARISTA**IPC

# ARP-2900AP Series

Datasheet Collection

[www.aristaipc.com](http://www.aristaipc.com)

# Contents

## Industrial Panel PCs

---

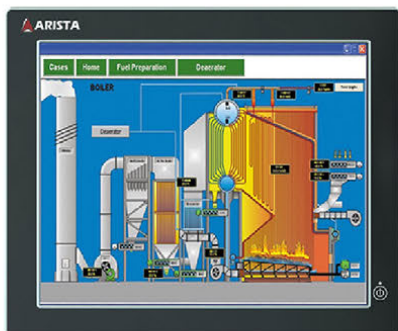
### Panel Mount Panel PCs

|                         |    |
|-------------------------|----|
| ARP-2917AP Series ..... | 03 |
| ARP-2919AP Series ..... | 05 |
| ARP-2921AP Series ..... | 07 |



## ARP-2917AP Series

Panel Mount Panel PC with 17" 5-Wire Resistive Touch



### Features

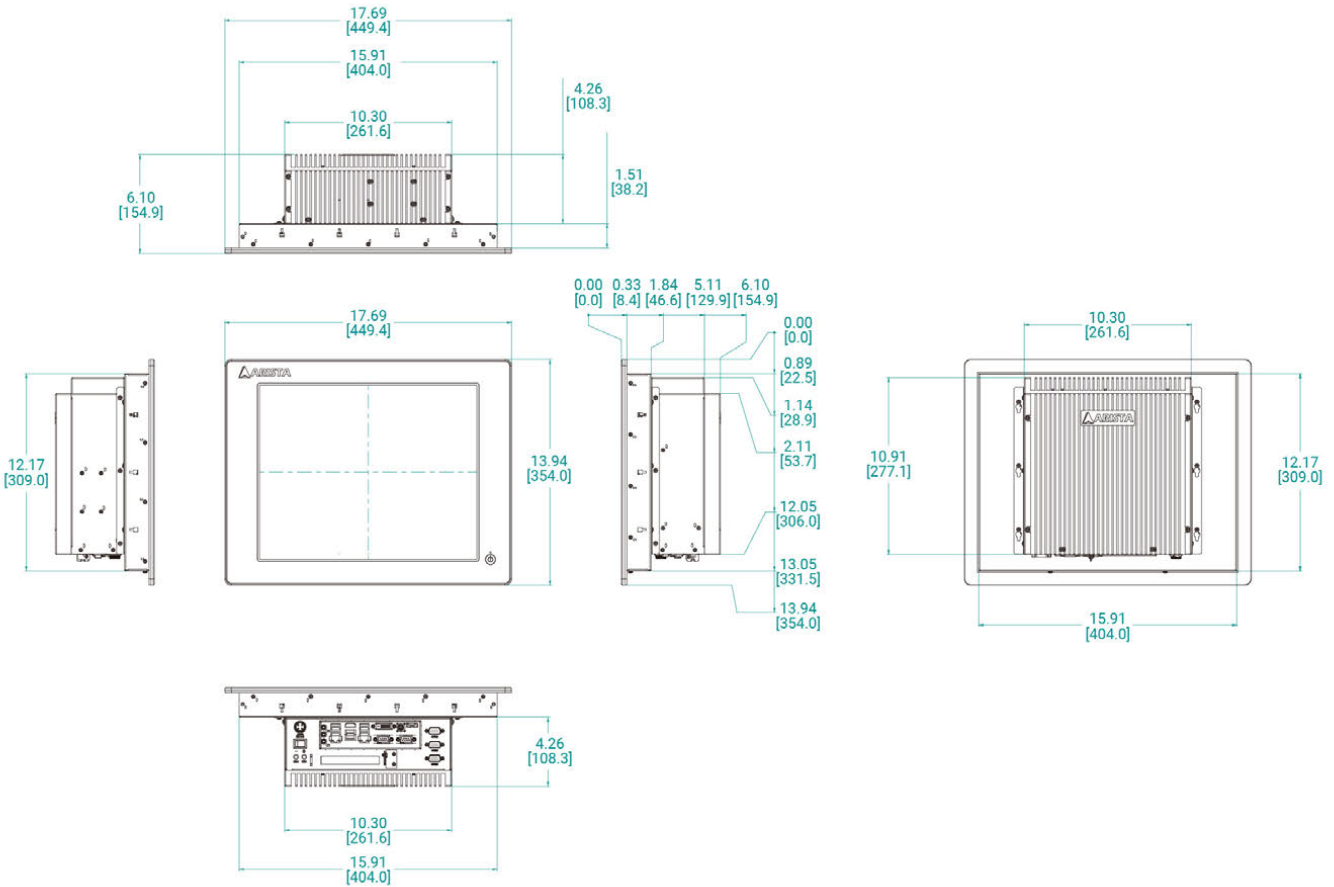
- 17" LCD, 1280 x 1024 Resolution
- Very High Brightness LCD (1,000 nits)
- Flush Bezel 5-Wire Resistive Touchscreen
- Aluminum or Stainless-Steel Bezel
- Intel Core i7 Mobile / Intel 6th Gen Core-I CPU
- Up to 16GB DDR3/ Up to 32GB DDR4 SO-DIMM
- Optional 2.5" SSD
- Dual Gigabit Ethernet
- 2x RS-232/422/485 BIOS Selectable
- 4 x USB 2.0, 2 x USB 3.0

### Specifications

| Model Name                         | ARP-2917AP-G01  | ARP-2917AP-H01  |
|------------------------------------|---|---|
| <b>LCD Display</b>                 |   |   |
| Display Size (Diagonal)            | 17.0 inch   | 17.0 inch   |
| Resolution                         | 1280 x 1024   | 1280 x 1024   |
| Backlight Lifetime (Hours)         | 50,000  | 50,000  |
| <b>Visual Characteristics</b>      |   |   |
| Colors                             | 16.7 million  | 16.7 million  |
| Aspect Ratio                       | 5:4   | 5:4   |
| Viewing Angle (V/H)                | 160° / 170°   | 160° / 170°   |
| Contrast Ratio                     | 1000 : 1  | 1000 : 1  |
| Brightness                         | 1000 nits   | 1000 nits   |
| <b>Touch Screen</b>                |   |   |
| Technology                         | 5 Wire Resistive                                      | 5 Wire Resistive                                      |
| Interface                          | USB   | USB   |
| <b>Front Bezel</b>                 |   |   |
| NEMA 4                             | Aluminum  | Aluminum  |
| NEMA 4x                            | Stainless Steel                                       | Stainless Steel                                       |
| <b>System</b>                      |   |   |
| CPU                                | Intel i7-3612QM CPU                                   | Intel i7-6700T CPU                                    |
| Chipset                            | Intel QM77  | Q170  |
| Memory                             | Up to 16GB DDR3                                       | Up to 32GB DDR4                                       |
| Video Controller                   | Intel HD Graphics 4000                                | Intel® Gen9 Intel Graphics                            |
| External Video Output              | DVI, HDMI, Display port                               | DVI, HDMI, Display port                               |
| Storage Option                     | 2.5" SATA SSD   | 2.5" SATA SSD   |
| CFast Card                         | N/A   | N/A   |
| Keyboard / Mouse                   | USB / PS2   | USB / PS2   |
| Audio                              | Line in, Line Out, Mic-In                             | Line in, Line Out, Mic-In                             |
| Watchdog Timer                     | Programmable 1~255 sec                                | Programmable 1~255 sec                                |
| Remote Boot                        | PXE   | PXE   |
| Expansion Slot                     | 1 x PCIe x8   | 1 x PCIe x16  |
| <b>I/O Communication</b>           |   |   |
| USB Port                           | 4 x USB 2.0, 2 x USB 3.0                              | 2 x USB 2.0, 4 x USB 3.0                              |
| Serial Port                        | 2 x RS-232/422/485                                    | 2 x RS-232/422/485                                    |
| IEEE 1394                          | N/A   | N/A   |
| LAN                                | 2 x Gigabit   | 2 x Gigabit   |
| Parallel                           | N/A   | N/A   |
| GPIO                               | N/A   | N/A   |
| <b>Smart Battery</b>               |   |   |
| External Smart Battery             | N/A   | N/A   |
| <b>OS Support</b>                  |   |   |
| OS Support                         | Windows XP, 7, 8.1, 10                                | Windows 7, 8.1, 10                                    |
| <b>Power/Thermal Specs</b>         |   |   |
| Power Requirement (Max)            | 24VDC / 4.61A   | 24VDC / 4.61A   |
| Power Consumption (Max)            | 111 W   | 111 W   |
| Recommended Power Supply           | 158 W   | 158 W   |
| Heat Dissipation                   | 378 BTU/hr  | 378 BTU/hr  |
| <b>Physical Information</b>        |   |   |
| Mounting                           | Panel Mount   | Panel Mount   |
| Net Weight                         | 30 Lbs / 13.60 Kg                                     | 30 Lbs / 13.60 Kg                                     |
| Dimension (W x H x D)              | 17.69 x 13.94 x 6.10 inch<br>449.4 x 354.0 x 154.9 mm | 17.69 x 13.94 x 6.10 inch<br>449.4 x 354.0 x 154.9 mm |
| Recommended Cutout Dimension (WxH) | 16.10 x 12.37 inch<br>409.0 x 314.2 mm                | 16.10 x 12.37 inch<br>409.0 x 314.2 mm                |
| <b>Environmental</b>               |   |   |
| Operating Temperature              | 0~35°C (32~95°F)                                      | 0~35°C (32~95°F)                                      |
| Storage Temperature                | -20~60°C (-4~140°F)                                   | -20~60°C (-4~140°F)                                   |
| Relative Humidity                  | 0~95%   | 0~95%   |
| IP/NEMA Rating                     | Bezel meets NEMA 4/4X requirement                     | Bezel meets NEMA 4/4X requirement                     |
| Certification                      | N/A   | N/A   |

## Dimension Drawing

Model Name: ARP-2917AP  
 Size Unit: inch(mm)



## Ordering Information

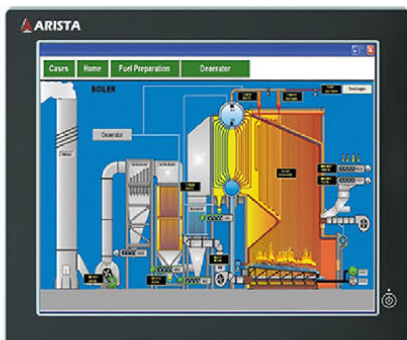
| Item         | ARP-2917AP-G01-H31        | ARP-2917AP-G01-H35        |
|--------------|---------------------------|---------------------------|
| LCD Display  | 17" VHB LCD / 1280 x 1024 | 17" VHB LCD / 1280 x 1024 |
| Touch Screen | 5-Wire                    | 5-Wire                    |
| Bezel        | Aluminum                  | Stainless Steel           |
| CPU          | i7-3612QM                 | i7-3612QM                 |
| Memory       | 16GB DDR3                 | 16GB DDR3                 |
| Storage      | 2.5" SATA SSD             | 2.5" SATA SSD             |
| Remote Boot  | N/A                       | N/A                       |
| Power Supply | 110/220VAC Input DIN-Rail | 110/220VAC Input DIN-Rail |

| Item         | ARP-2917AP-H01-H31        | ARP-2917AP-H01-H35        |
|--------------|---------------------------|---------------------------|
| LCD Display  | 17" VHB LCD / 1280 x 1024 | 17" VHB LCD / 1280 x 1024 |
| Touch Screen | 5-Wire                    | 5-Wire                    |
| Bezel        | Aluminum                  | Stainless Steel           |
| CPU          | i7-6700T                  | i7-6700T                  |
| Memory       | 32GB DDR3                 | 32GB DDR3                 |
| Storage      | 2.5" SATA SSD             | 2.5" SATA SSD             |
| Remote Boot  | N/A                       | N/A                       |
| Power Supply | 110/220VAC Input DIN-Rail | 110/220VAC Input DIN-Rail |



## ARP-2919AP Series

Panel Mount Panel PC with 19" 5-Wire Resistive Touch



### Features

- 19" LCD, 1280 x 1024 Resolution
- Very High Brightness LCD (1,000 nits)
- Flush Bezel 5-Wire Resistive Touchscreen
- Aluminum or Stainless-Steel Bezel
- Intel Core i7 Mobile / Intel 6th Gen Core-I CPU
- Up to 16GB DDR3/ Up to 32GB DDR4 SO-DIMM
- Optional 2.5" SSD
- Dual Gigabit Ethernet
- 2x RS-232/422/485 BIOS Selectable
- 4 x USB 2.0, 2 x USB 3.0

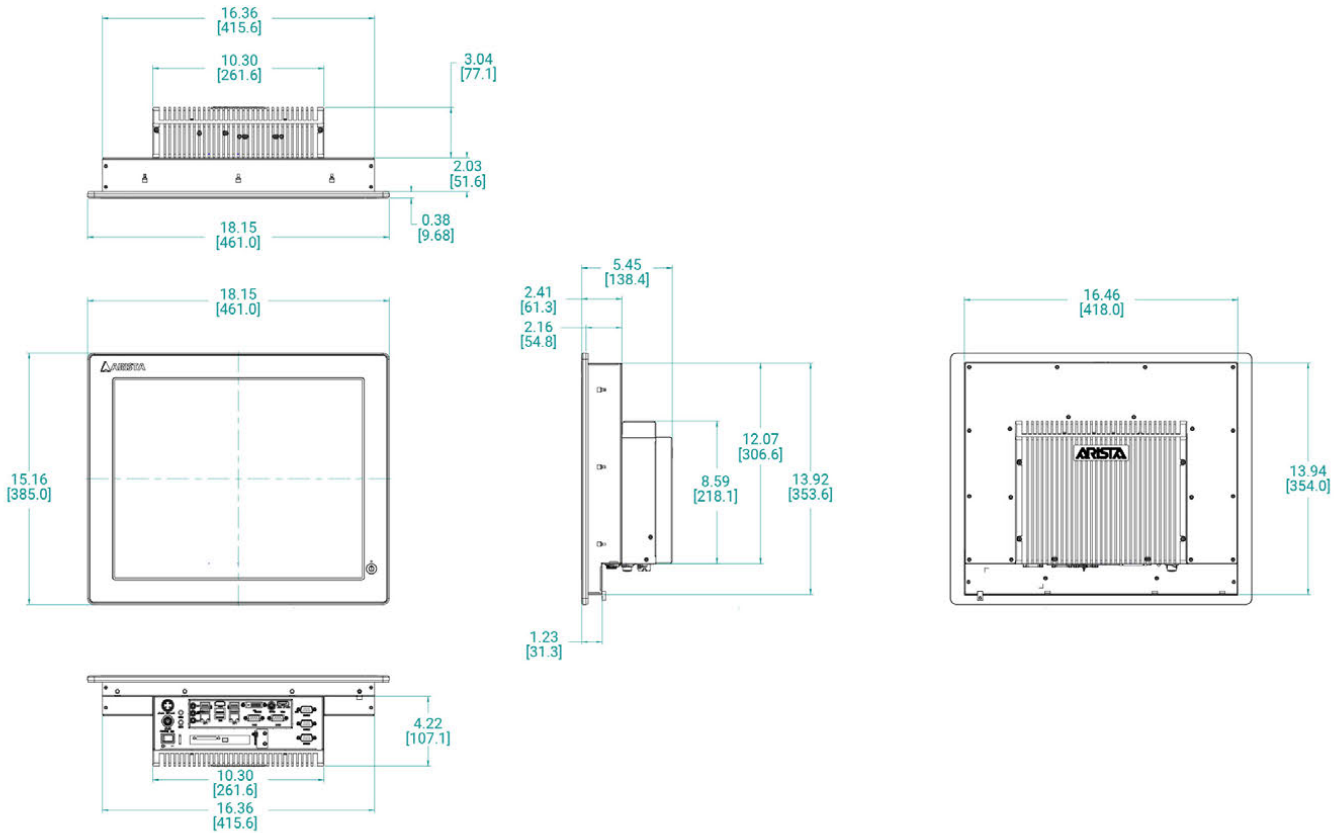
### Specifications

| Model Name                         | ARP-2919AP-G01  | ARP-2919AP-H01  |
|------------------------------------|---|---|
| <b>LCD Display</b>                 |   |   |
| Display Size (Diagonal)            | 19.0 inch   | 19.0 inch   |
| Resolution                         | 1280 x 1024   | 1280 x 1024   |
| Backlight Lifetime (Hours)         | 50,000  | 50,000  |
| <b>Visual Characteristics</b>      |   |   |
| Colors                             | 16.7 million  | 16.7 million  |
| Aspect Ratio                       | 5:4   | 5:4   |
| Viewing Angle (V/H)                | 160° / 170°   | 160° / 170°   |
| Contrast Ratio                     | 1000 : 1  | 1000 : 1  |
| Brightness                         | 1000 nits   | 1000 nits   |
| <b>Touch Screen</b>                |   |   |
| Technology                         | 5 Wire Resistive                                      | 5 Wire Resistive                                      |
| Interface                          | USB   | USB   |
| <b>Front Bezel</b>                 |   |   |
| NEMA 4                             | Aluminum  | Aluminum  |
| NEMA 4x                            | Stainless Steel                                       | Stainless Steel                                       |
| <b>System</b>                      |   |   |
| CPU                                | Intel i7-3612QM CPU                                   | Intel i7-6700T CPU                                    |
| Chipset                            | Intel QM77  | Q170  |
| Memory                             | Up to 16GB DDR3                                       | Up to 32GB DDR4                                       |
| Video Controller                   | Intel HD Graphics 4000                                | Intel® Gen9 Intel Graphics                            |
| External Video Output              | DVI, HDMI, Display port                               | DVI, HDMI, Display port                               |
| Storage Option                     | 2.5" SATA SSD   | 2.5" SATA SSD   |
| CFast Card                         | N/A   | N/A   |
| Keyboard / Mouse                   | USB / PS2   | USB / PS2   |
| Audio                              | Line in, Line Out, Mic-In                             | Line in, Line Out, Mic-In                             |
| Watchdog Timer                     | Programmable 1~255 sec                                | Programmable 1~255 sec                                |
| Remote Boot                        | PXE   | PXE   |
| Expansion Slot                     | 1 x PCIe x8   | 1 x PCIe x16  |
| <b>I/O Communication</b>           |   |   |
| USB Port                           | 4 x USB 2.0, 2 x USB 3.0                              | 2 x USB 2.0, 4 x USB 3.0                              |
| Serial Port                        | 2 x RS-232/422/485                                    | 2 x RS-232/422/485                                    |
| IEEE 1394                          | N/A   | N/A   |
| LAN                                | 2 x Gigabit   | 2 x Gigabit   |
| Parallel                           | N/A   | N/A   |
| GPIO                               | N/A   | N/A   |
| <b>Smart Battery</b>               |   |   |
| External Smart Battery             | N/A   | N/A   |
| <b>OS Support</b>                  |   |   |
| OS Support                         | Windows XP, 7, 8.1, 10                                | Windows 7, 8.1, 10                                    |
| <b>Power/Thermal Specs</b>         |   |   |
| Power Requirement (Max)            | 24VDC / 4.61A   | 24VDC / 4.61A   |
| Power Consumption (Max)            | 111 W   | 111 W   |
| Recommended Power Supply           | 158 W   | 158 W   |
| Heat Dissipation                   | 378 BTU/hr  | 378 BTU/hr  |
| <b>Physical Information</b>        |   |   |
| Mounting                           | Panel Mount   | Panel Mount   |
| Net Weight                         | 35 Lbs / 15.80 Kg                                     | 35 Lbs / 15.80 Kg                                     |
| Dimension (W x H x D)              | 18.15 x 15.16 x 4.20 inch<br>461.0 x 385.0 x 106.8 mm | 18.15 x 15.16 x 4.20 inch<br>461.0 x 385.0 x 106.8 mm |
| Recommended Cutout Dimension (WxH) | 16.55 x 14.11 inch<br>420.6 x 358.6 mm                | 16.55 x 14.11 inch<br>420.6 x 358.6 mm                |
| <b>Environmental</b>               |   |   |
| Operating Temperature              | 0~35°C (32~95°F)                                      | 0~35°C (32~95°F)                                      |
| Storage Temperature                | -20~60°C (-4~140°F)                                   | -20~60°C (-4~140°F)                                   |
| Relative Humidity                  | 0~95%   | 0~95%   |
| IP/NEMA Rating                     | Bezel meets NEMA 4/4X requirement                     | Bezel meets NEMA 4/4X requirement                     |
| Certification                      | N/A   | N/A   |



## Dimension Drawing

Model Name: ARP-2919AP  
 Size Unit: inch(mm)



## Ordering Information

| Item         | ARP-2919AP-G01-H31        | ARP-2919AP-G01-H35        |
|--------------|---------------------------|---------------------------|
| LCD Display  | 19" VHB LCD / 1280 x 1024 | 19" VHB LCD / 1280 x 1024 |
| Touch Screen | 5-Wire                    | 5-Wire                    |
| Bezel        | Aluminum                  | Stainless Steel           |
| CPU          | i7-3612QM                 | i7-3612QM                 |
| Memory       | 16GB DDR3                 | 16GB DDR3                 |
| Storage      | 2.5" SATA SSD             | 2.5" SATA SSD             |
| Remote Boot  | N/A                       | N/A                       |
| Power Supply | 110/220VAC Input DIN-Rail | 110/220VAC Input DIN-Rail |

| Item         | ARP-2919AP-H01-H31        | ARP-2919AP-H01-H35        |
|--------------|---------------------------|---------------------------|
| LCD Display  | 19" VHB LCD / 1280 x 1024 | 19" VHB LCD / 1280 x 1024 |
| Touch Screen | 5-Wire                    | 5-Wire                    |
| Bezel        | Aluminum                  | Stainless Steel           |
| CPU          | i7-6700T                  | i7-6700T                  |
| Memory       | 32GB DDR3                 | 32GB DDR3                 |
| Storage      | 2.5" SATA SSD             | 2.5" SATA SSD             |
| Remote Boot  | N/A                       | N/A                       |
| Power Supply | 110/220VAC Input DIN-Rail | 110/220VAC Input DIN-Rail |



## ARP-2921AP Series

Panel Mount Panel PC with 21.5 inch 5-Wire Resistive Touch



### Features

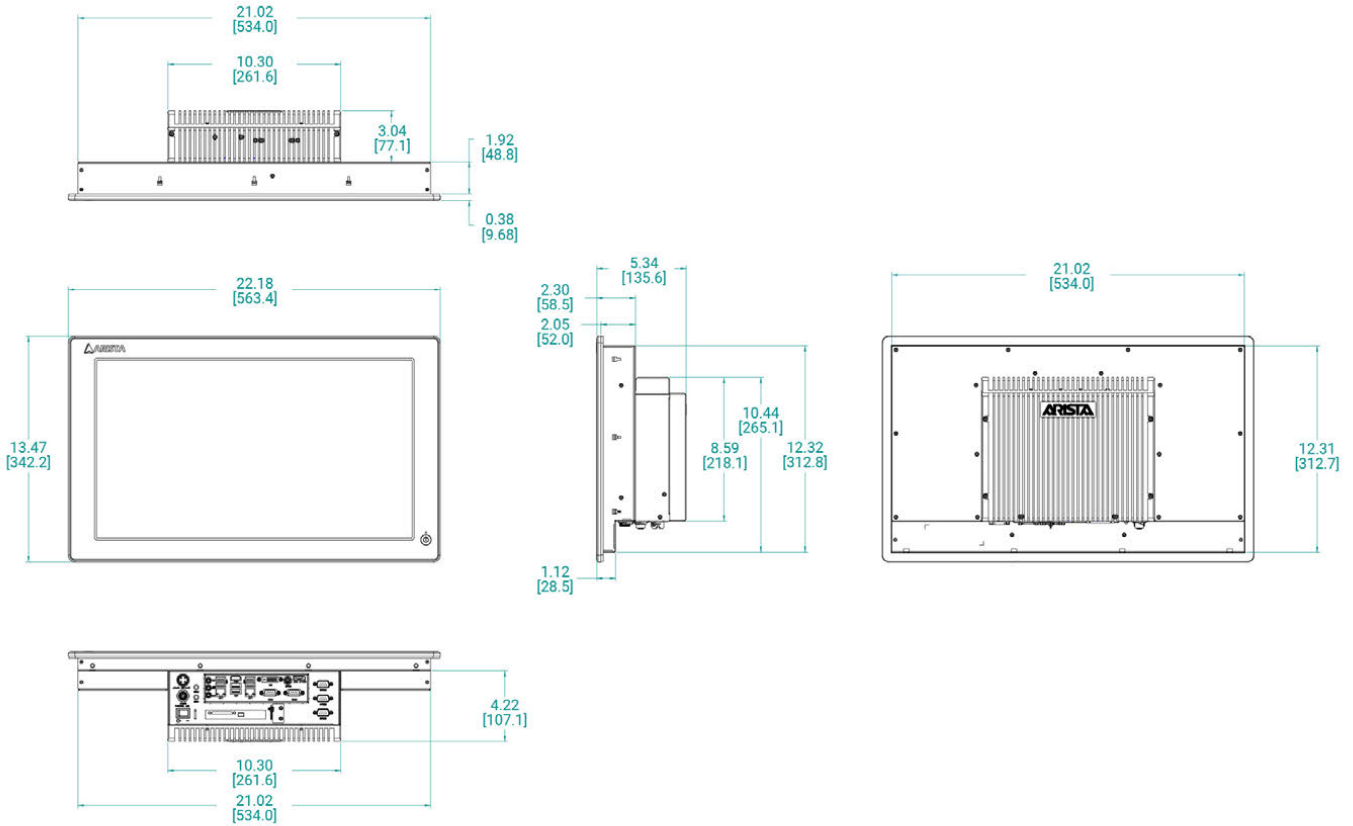
- 21.5" LCD, 1920 x 1080 Resolution
- Very High Brightness LCD (1,000 nits)
- Flush Bezel 5-Wire Resistive Touchscreen
- Aluminum or Stainless-Steel Bezel
- Intel Core i7 Mobile / Intel 6th Gen Core-I CPU
- Up to 16GB DDR3/ Up to 32GB DDR4 SO-DIMM
- Optional 2.5" SSD
- Dual Gigabit Ethernet
- 2x RS-232/422/485 BIOS Selectable
- 4 x USB 2.0, 2 x USB 3.0

### Specifications

| Model Name                         | ARP-2921AP-G01  | ARP-2921AP-H01  |
|------------------------------------|---|---|
| <b>LCD Display</b>                 |   |   |
| Display Size (Diagonal)            | 21.5 inch   | 21.5 inch   |
| Resolution                         | 1920 x 1080   | 1920 x 1080   |
| Backlight Lifetime (Hours)         | 50,000  | 50,000  |
| <b>Visual Characteristics</b>      |   |   |
| Colors                             | 16.7 million  | 16.7 million  |
| Aspect Ratio                       | 16:9  | 16:9  |
| Viewing Angle (V/H)                | 180° / 180°   | 180° / 180°   |
| Contrast Ratio                     | 5000 : 1  | 5000 : 1  |
| Brightness                         | 1000 nits   | 1000 nits   |
| <b>Touch Screen</b>                |   |   |
| Technology                         | 5 Wire Resistive                                      | 5 Wire Resistive                                      |
| Interface                          | USB   | USB   |
| <b>Front Bezel</b>                 |   |   |
| NEMA 4                             | Aluminum  | Aluminum  |
| NEMA 4x                            | Stainless Steel                                       | Stainless Steel                                       |
| <b>System</b>                      |   |   |
| CPU                                | Intel i7-3612QM CPU                                   | Intel i7-6700T CPU                                    |
| Chipset                            | Intel QM77  | Q170  |
| Memory                             | Up to 16GB DDR3                                       | Up to 32GB DDR4                                       |
| Video Controller                   | Intel HD Graphics 4000                                | Intel® Gen9 Intel Graphics                            |
| External Video Output              | DVI, HDMI, Display port                               | DVI, HDMI, Display port                               |
| Storage Option                     | 2.5" SATA SSD   | 2.5" SATA SSD   |
| CFast Card                         | N/A   | N/A   |
| Keyboard / Mouse                   | USB / PS2   | USB / PS2   |
| Audio                              | Line in, Line Out, Mic-In                             | Line in, Line Out, Mic-In                             |
| Watchdog Timer                     | Programmable 1~255 sec                                | Programmable 1~255 sec                                |
| Remote Boot                        | PXE   | PXE   |
| Expansion Slot                     | 1 x PCIe x8   | 1 x PCIe x16  |
| <b>I/O Communication</b>           |   |   |
| USB Port                           | 4 x USB 2.0, 2 x USB 3.0                              | 2 x USB 2.0, 4 x USB 3.0                              |
| Serial Port                        | 2 x RS-232/422/485                                    | 2 x RS-232/422/485                                    |
| IEEE 1394                          | N/A   | N/A   |
| LAN                                | 2 x Gigabit   | 2 x Gigabit   |
| Parallel                           | N/A   | N/A   |
| GPIO                               | N/A   | N/A   |
| <b>Smart Battery</b>               |   |   |
| External Smart Battery             | N/A   | N/A   |
| <b>OS Support</b>                  |   |   |
| OS Support                         | Windows XP, 7, 8.1, 10                                | Windows 7, 8.1, 10                                    |
| <b>Power/Thermal Specs</b>         |   |   |
| Power Requirement (Max)            | 24VDC / 5.51A   | 24VDC / 5.51A   |
| Power Consumption (Max)            | 133 W   | 133 W   |
| Recommended Power Supply           | 189 W   | 189 W   |
| Heat Dissipation                   | 452 BTU/hr  | 452 BTU/hr  |
| <b>Physical Information</b>        |   |   |
| Mounting                           | Panel Mount   | Panel Mount   |
| Net Weight                         | 35 Lbs / 15.8 Kg                                      | 35 Lbs / 15.8 Kg                                      |
| Dimension (W x H x D)              | 22.18 x 13.47 x 5.90 inch<br>563.4 x 342.2 x 151.0 mm | 22.18 x 13.47 x 5.90 inch<br>563.4 x 342.2 x 151.0 mm |
| Recommended Cutout Dimension (WxH) | 21.22 x 12.51 inch<br>539.0 x 317.8 mm                | 21.22 x 12.51 inch<br>539.0 x 317.8 mm                |
| <b>Environmental</b>               |   |   |
| Operating Temperature              | 0~35°C (32~95°F)                                      | 0~35°C (32~95°F)                                      |
| Storage Temperature                | -20~60°C (-4~140°F)                                   | -20~60°C (-4~140°F)                                   |
| Relative Humidity                  | 0~95%   | 5% to 95%   |
| IP/NEMA Rating                     | Bezel meets NEMA 4/4X requirement                     | Bezel meets NEMA 4/4X requirement                     |
| Certification                      | N/A   | N/A   |

## Dimension Drawing

Model Name: ARP-2921AP  
 Size Unit: inch(mm)



## Ordering Information

| Item         | ARP-2921AP-G01-H31          | ARP-2921AP-G01-H35          |
|--------------|-----------------------------|-----------------------------|
| LCD Display  | 21.5" VHB LCD / 1920 x 1080 | 21.5" VHB LCD / 1920 x 1080 |
| Touch Screen | 5-Wire                      | 5-Wire                      |
| Bezel        | Aluminum                    | Stainless Steel             |
| CPU          | i7-3612QM                   | i7-3612QM                   |
| Memory       | 16GB DDR3                   | 16GB DDR3                   |
| Storage      | 2.5" SATA SSD               | 2.5" SATA SSD               |
| Remote Boot  | N/A                         | N/A                         |
| Power Supply | 110/220VAC Input DIN-Rail   | 110/220VAC Input DIN-Rail   |



| Item         | ARP-2921AP-H01-H31          | ARP-2921AP-H01-H35          |
|--------------|-----------------------------|-----------------------------|
| LCD Display  | 21.5" VHB LCD / 1920 x 1080 | 21.5" VHB LCD / 1920 x 1080 |
| Touch Screen | 5-Wire                      | 5-Wire                      |
| Bezel        | Aluminum                    | Stainless Steel             |
| CPU          | i7-6700T                    | i7-6700T                    |
| Memory       | 32GB DDR4                   | 32GB DDR4                   |
| Storage      | 2.5" SATA SSD               | 2.5" SATA SSD               |
| Remote Boot  | N/A                         | N/A                         |
| Power Supply | 110/220VAC Input DIN-Rail   | 110/220VAC Input DIN-Rail   |





**ARISTA Corporation (USA)**

 40675 Encyclopedia Circle, Fremont, CA 94538.

 Phone : +1-510-226-1800  eFax : 510-405-8437

 [sales@goarista.com](mailto:sales@goarista.com)  [www.aristaipc.com](http://www.aristaipc.com)